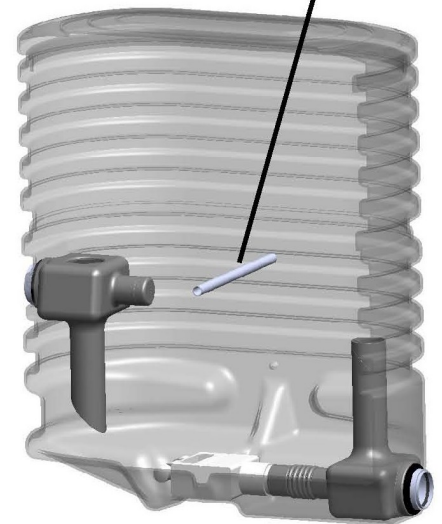
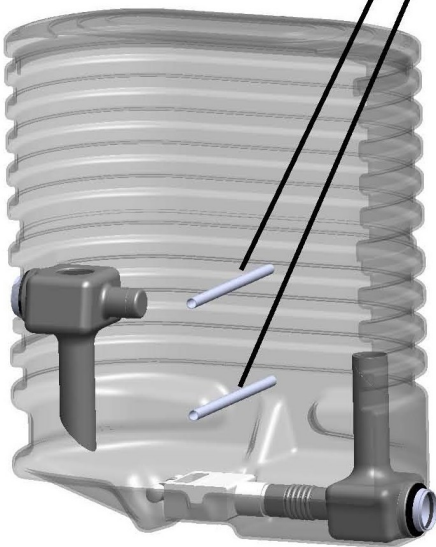
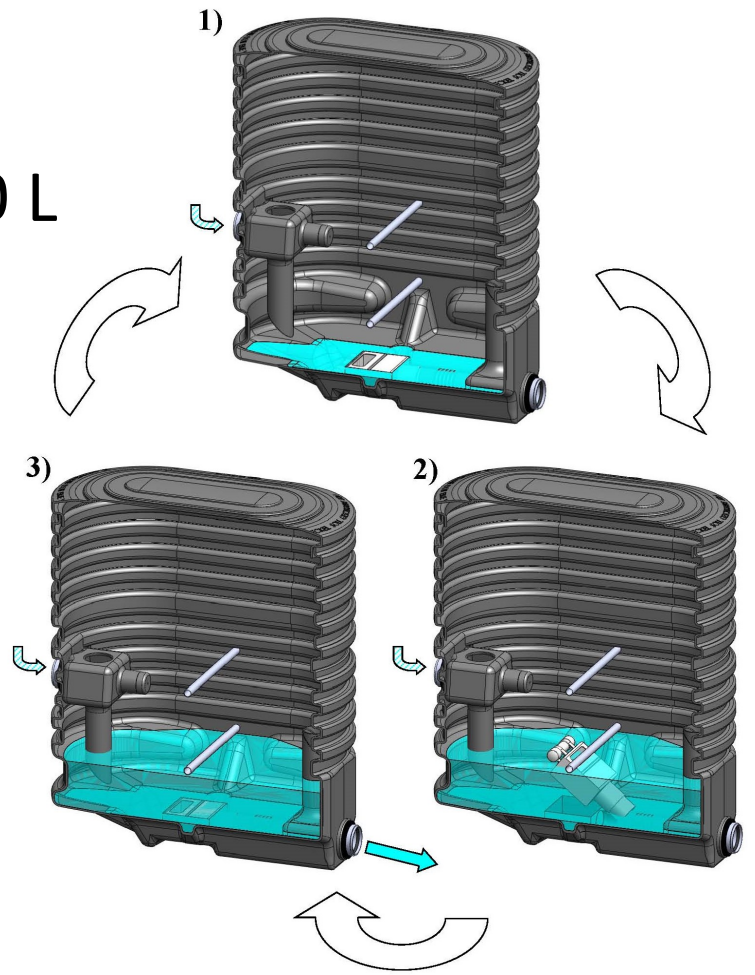


130 L = 2x

200 L = 1x



130 L



200 L

